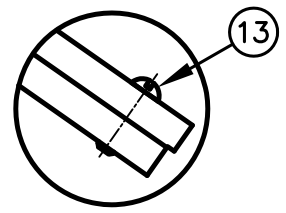
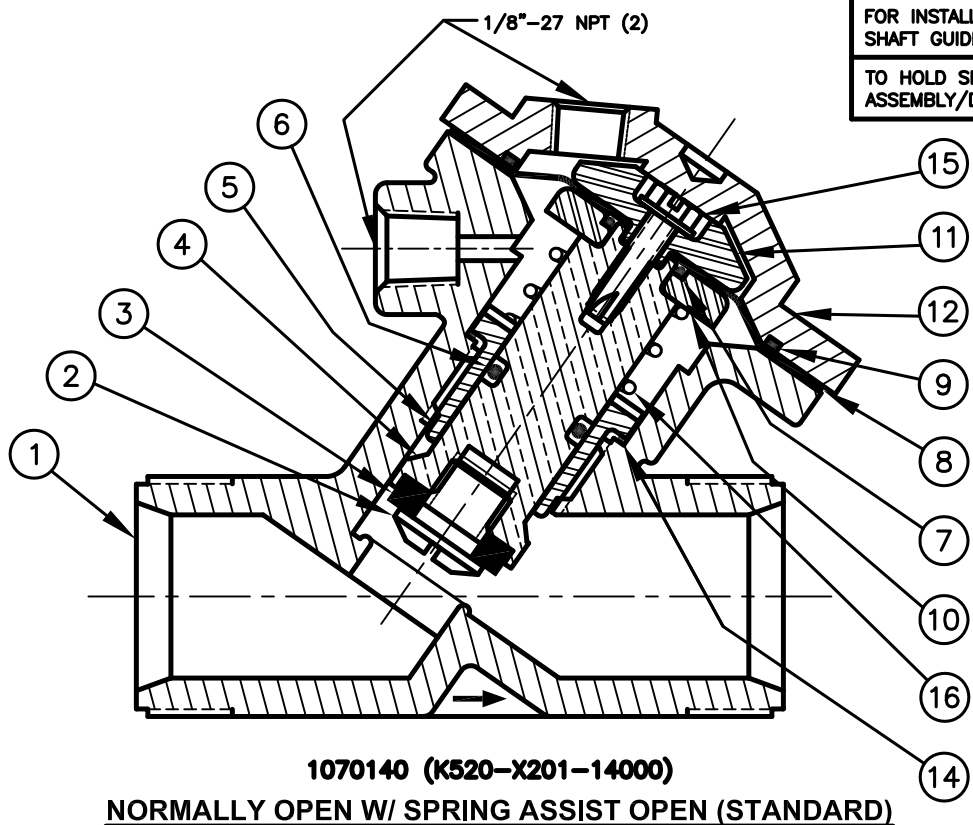


REPAIR PARTS KITS		
DESCRIPTION	PART NO.	
DIAPHRAGM & SEALS KIT CONSISTS OF ITEM NO'S 3,6,7,8,9,15	1081784 (520-RAN) E.P.D.M. INCLUDES DIAPHRAGM 1078035	1081783 (520-RAWN) BUTYL INCLUDES DIAPHRAGM 1078035
	1081787 (520-RAWN) FKM INCLUDES DIAPHRAGM 1078035	1081786 (520-RAWN) FKM INCLUDES DIAPHRAGM 1078047
INT. PARTS KIT (NORM. OPEN) CONSISTS OF ITEM NO'S 2,4,5,10,11,16	1079600 (K520-RFN)	

ASSEMBLY TOOLS	
DESCRIPTION	PART NO.
FOR INSTALLATION & REMOVAL OF SHAFT GUIDE (ITEM #5)	1074989 (520-Z)
TO HOLD SHAFT (ITEM #4) DURING ASSEMBLY/DISASSEMBLY	1077834


NO.	DESCRIPTION	PART NO.	QTY.
1	BODY	3003161	1
2	DISC SCREW	1077903	1
3	DISC	E.P.D.M. 1074966 (520-J)	1
		BUTYL 1074967 (520-J)	
		FKM 1074968 (520-JV)	
4	SHAFT (NORYL)	1077854	1
5	SHAFT GUIDE (NORYL)	1074964 (520-GN)	1
6	O-RING	E.P.D.M. 1242744 (ORE-111TC)	1
		BUTYL 1071764 (ORJ-111)	
		FKM 1242390 (ORV-111)	
7	O-RING	E.P.D.M. 1071717 (ORE-012)	1
		FKM 1071787 (ORV-012)	
8	DIAPHRAGM	BUNA N 1078035 FKM 1078047	1
9	O-RING	BUNA N 1071679 (ORB-030)	1
10	LWR DIAPH. PLATE	1077858	1
11	UPR DIAPH. PLATE	1077856	1
12	CAP	3003124	1
13	RD. HD. MACH. SCR. (WITH LOCITE)	3016774	6
14	O-RING	E.P.D.M. 1071720 (ORE-018)	1
		BUTYL 1071762 (ORJ-018)	
		FKM 1071790 (ORV-018)	
15	SCREW	1077781	1
16	SPRING	1074982 (520-SA)	1

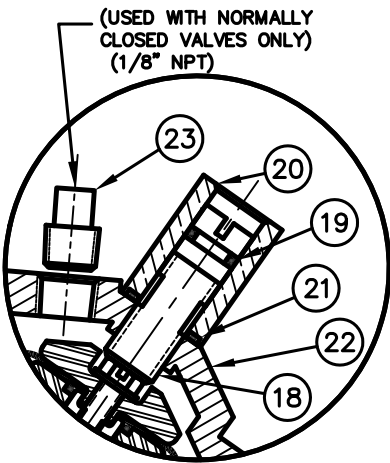


SEE SHEET 1078140 FOR UNION END CONNECTORS  
 SEE SHEET 1078141 FOR GROOVED ADAPTORS  
 SEE REVERSE SIDE FOR CONFIGURATION OPTIONS

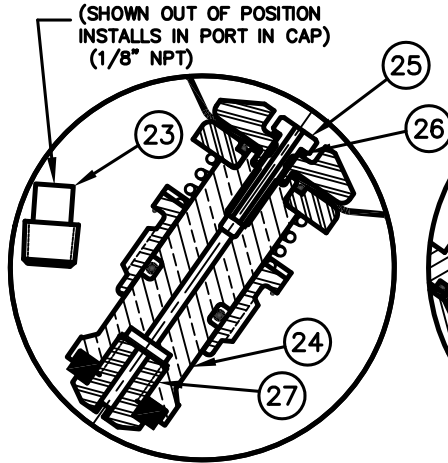
FORM NO. 1078139

**1070140 (K520-X201-14000)**  
**NORMALLY OPEN W/ SPRING ASSIST OPEN (STANDARD)**

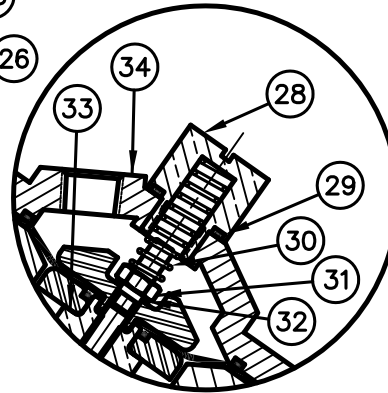
K	REMOVED (6) NUTS FROM BODY/CAP ASSY. CHANGED BODY, CAP & SCREW P/N'S	NONE	MSM	21MAY08	SMN
REV	DESCRIPTION	ECO	DWN	DATE	APVD
					
16605 West Victor Rd New Berlin, WI 53151 262-326-0100 www.aq-matic.com					
<b>SERIES 520 DIAPHRAGM VALVE</b> <b>STANDARD MODEL</b>					
DRAWN	JWB	DATE	25JUL01	DRAWING NO.	1084001



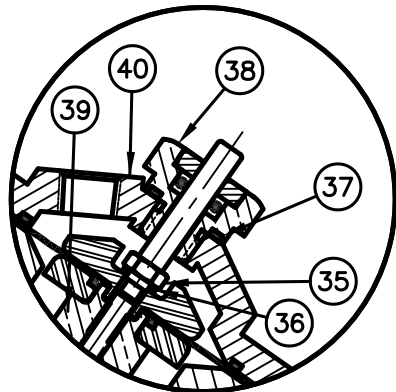
**1070141 (K520-X211-14000)**  
**LIMIT STOP**



**1071084 (K520-X231-14000)**  
**NORMALLY CLOSED**



**1070143 (K520-X202-14000)**  
**SPRING ASSIST CLOSED**



**1071079 (K520-X221-14000)**  
**POSITION INDICATOR**

**NOTE:**

1. NORMALLY CLOSED CANNOT BE COMBINED WITH SPRING ASSIST CLOSED.
2. LIMIT STOP MODEL CANNOT BE COMBINED WITH SPRING ASSIST CLOSED OPTION.
3. POSITION INDICATOR MODEL FURNISHED WITH NORMALLY OPEN, SPRING ASSIST OPEN OPTION ONLY.

NO.	DESCRIPTION	PART NO.	QTY.
<b>LIMIT STOP MODEL</b>			
18	ADJUSTING SCREW	1074988 (520-Y)	1
19	O-RING (BUNA)	1071667 (ORB-010)	1
20	LIMIT STOP HOUSING	1074987 (520-X)	1
21	O-RING (BUNA)	1071669 (ORB-013)	1
22	CAP	1074946 (520-BBOK)	1
<b>NORMALLY CLOSED MODEL</b>			
23	PIPE PLUG (1/8" NPT)	1071912 (PLP-0006)	1
24	SHAFT (N.C.)	1077905	1
25	SCREW	1077818	1
26	LOCKWASHER (NO. 8)	1006351	1
27	DISC SCREW	1078324	1
<b>SPRING ASSIST CLOSED MODEL</b>			
28	SPRING RETAINER	1074986 (520-T)	1
29	O-RING (BUNA)	1071669 (ORB-013)	1
30	SPRING (ASSIST CLOSED)	1074981 (520-S)	1
31	SCREW	1077828	1
32	LOCKWASHER (NO. 8)	1006351	1
33	SHAFT	1077907	1
34	CAP	1074946 (520-BBOK)	1
<b>POSITION INDICATOR MODEL</b>			
35	SCREW	1077826	1
36	LOCKWASHER (NO. 8)	1006351	1
37	O-RING (BUNA)	1071669 (ORB-013)	1
38	GUIDE HOUSING ASSY	1075037 (521-KA)	1
39	SHAFT	1077907	1
40	CAP	1074946 (520-BBOK)	1


SEE SHEET 1078140 FOR UNION END CONNECTORS,  
SEE SHEET 1078141 FOR GROOVED ADAPTORS,

SEE REVERSE SIDE FOR  
STANDARD NORMALLY OPEN MODEL

FORM NO. 1078139

<b>CONVERSION KITS</b>	
DESCRIPTION	PART NO.
CONVERSION KIT (LIMIT STOP) CONSISTS OF ITEM NO'S 18 THRU 22	1071056 (K520-LSC)
CONVERSION KIT (SPRING ASSIST CLOSED) CONSISTS OF ITEM NO'S 28 THRU 34	1079602 (K520-SCCN)
CONVERSION KIT (POSITION INDICATOR) CONSISTS OF ITEM NO'S 35 THRU 40	1079599 (K520-PICN)

<b>REPAIR PARTS KITS</b>	
DESCRIPTION	PART NO.
INT. PARTS KIT (LIMIT STOP) CONSISTS OF ITEM NO'S 18 THRU 21	1074973 (520-LS)
INT. PARTS KIT (NORM. CLOSED) CONSISTS OF ITEM NO'S 5,10,11,24,25,26,27	1079601 (K520-RGN)
INT. PARTS KIT (SPRING ASSIST CLOSED) CONSISTS OF ITEM NO'S 29 THRU 33	1081789 (520-SCN)
INT. PARTS KIT (POSITION INDICATOR) CONSISTS OF ITEM NO'S 35 THRU 39	1081782 (520-PIN)

K	SEE REVERSE SIDE	NONE	MSM	Z1MAY08	SMN
REV	DESCRIPTION	ECO	DWN	DATE	APVD
		16605 West Victor Rd New Berlin, WI 53151 262-326-0100 www.aq-matic.com			
<b>SERIES 520 DIAPHRAGM VALVE STANDARD MODEL</b>					
DRAWN	JWB	DATE	25JUL01	DRAWING NO.	1084001